

Outdoor architectural projector

## **FIX-LIGHT-04 LED**

**FIX LIGHT 04 440W 64100LM 60° 740 DA**

**FIX LIGHT 04 440W 63631LM 740 DA**




### **About the product**

FIX-LIGHT-04 LED is a range of projectors equipped with last generation LEDs and efficient optical systems, that competitive solution offers significant energy savings.

That range of products was designed for lighting outdoor large areas, sport fields, parking lots, outdoor warehouses.

The combination between latest generation LED technology and the best quality optical systems, made from FIX-LIGHT LED a completely flexible solution – easy to install no matter the location that creates a perfect



<b>SR EN 60598</b>	<b>RoHS</b>	<b>IP66</b>	<b>IK08</b>		<b>-30°C ÷ 40°C</b>	<b>444.2W LED</b>
--------------------	-------------	-------------	-------------	---	---------------------	-------------------

lighting effect.

The product is available in a large variety of optical systems.

## Application

Lighting for stadiums, sport fields, sports halls, high bays, building sites, warehouses, loading-unloading platforms, docks, ski tracks, service areas for motor roads, entrances/ exits for motor roads, parking lots, etc.

## Light sources

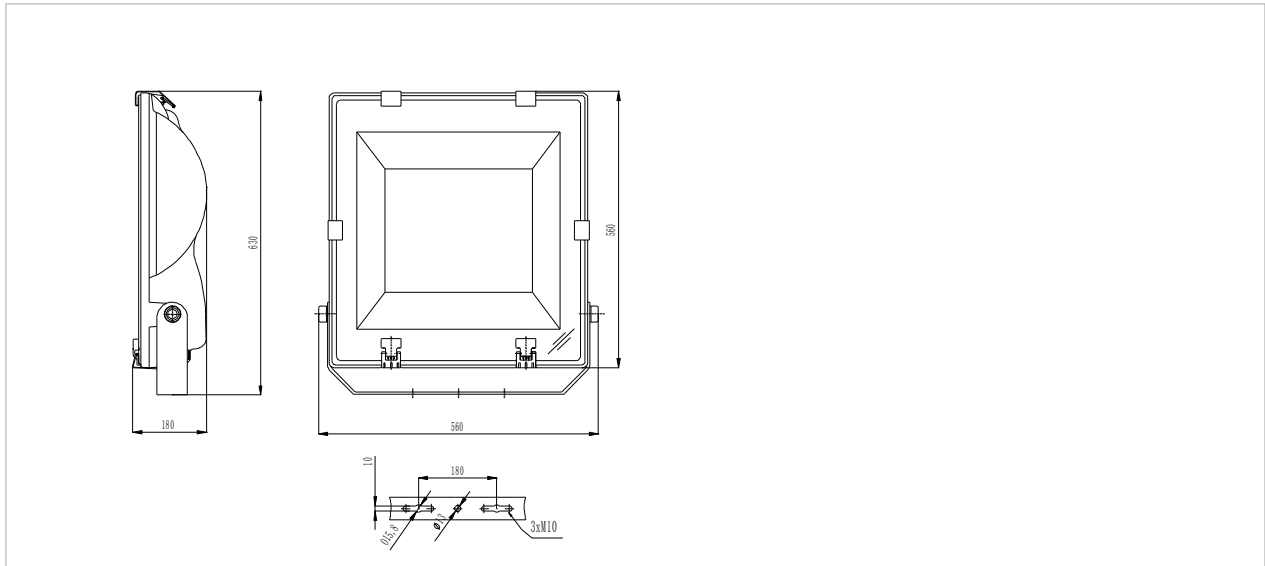
- Power LEDs with colour temperature neutral-white 4000K,  $CRI \geq 70$ , with a long lifetime, at  $T_a = 25^\circ\text{C}$ :

B10
L80
>163.000 ore

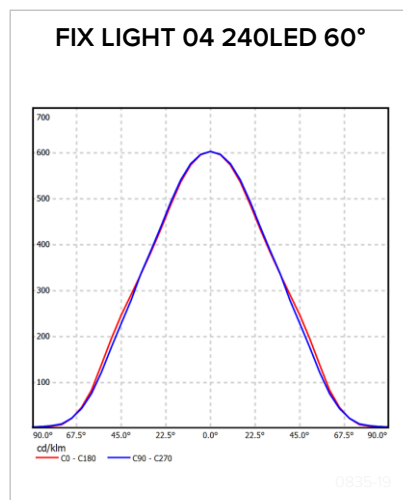
- On the client request the product could be equipped with LEDs with colour temperature warm-white 3000K,  $CRI \geq 70$ , cool-white 5000K, 5700K, 6500K,  $CRI \geq 70$ .
- Could replace projectors with: high-pressure mercury lamps HME 1000W, high pressure sodium lamps HST 400W.

## Advantages

Reduced energy consumption, prolonged lifetime, easy installation, environment friendly, reduced maintenance costs. There are not necessary interventions for lamp replacements during exploitation.



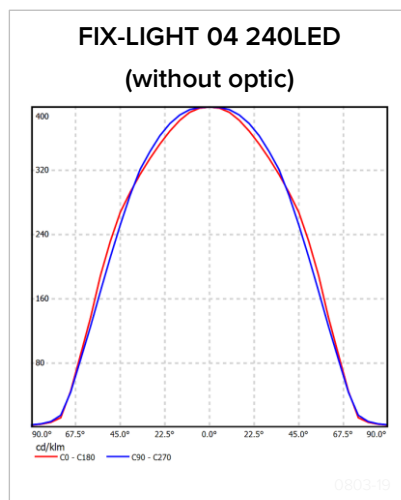
Product type	L (mm)	I (mm)	H (mm)
FIX-LIGHT-04 LED	560	560	180



**Photometric data FIX LIGHT 04 240 LED 60°**

64113lm

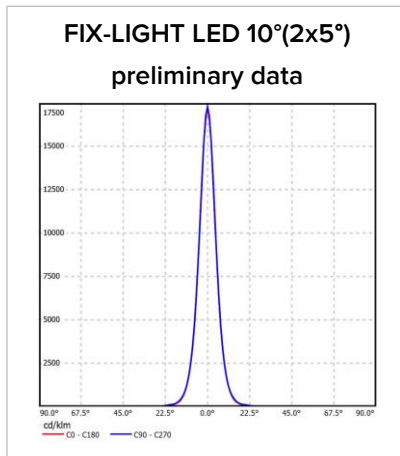
Light distribution diagram [Cd/1000lm]



**Photometric data FIX-LIGHT LED (without optic)**

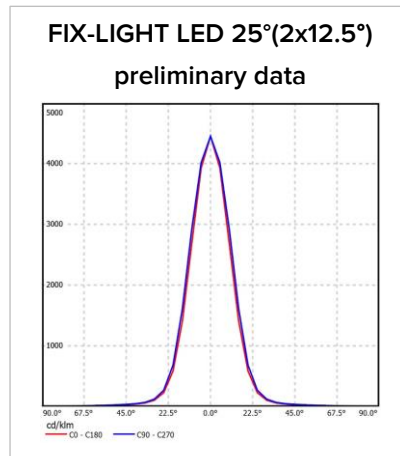
63631lm

Light distribution diagram [Cd/1000lm]



**Preliminary photometric data FIX-LIGHT LED 10° (small)**

Light distribution diagram [Cd/1000lm]



**Preliminary photometric data FIX-LIGHT LED 25° (medium)**

Light distribution diagram [Cd/1000lm]

## Description

- High-pressure die-cast aluminium housing, painted.
- Mounting system with standard U shape bracket, painted in the colour of the luminaire.
- Transparent thermally secured flat glass diffuser.
- The optical system:
  - Contains the power LEDs with the system for the flux orientation, designed to meet the requirements for architectural lighting or road lighting.
  - LED board:
    - Is removable to allow the maintenance operations and/or replacement after the warranty period.
    - Is fastened directly on the luminaire's housing and has the role of passive cooler, to extract the heat produced by LEDs.
    - the product is equipped with minimum 240LED in order to prevent a light loss greater than 20% from the luminous flux emitted by the luminaire in case of LED failure.
  - There could be obtained narrow or large luminous distributions function of the optical systems:
    - projector type: small 10°, medium 25°, large 60°
    - street lighting type
  - The light distribution does not be influenced by the occurrence of some LED defects, being complete distribution for each LED

- The total luminous flux of the luminaire will be given by the LED number and/or the current applied to the LED terminals ,
- The optical compartment is apart from the electric gear compartment and the both compartments could be opened easy, fast, with clamps, in short time of maximum 1 minute for fixing, for maintenance operations, or for replacements after the warranty period.
- Gear (LED driver) included in the product and manufactured according to the specific standards.
- LED Driver:
  - compatible with the LED type, dimmable, with programming possibility, DALI protocol,
  - CLO (Constant Lumen Output) system, that allows the light to be constantly maintained throughout the lifetime of the luminaire,
  - Allows communication with the control components of control systems through the DALI protocol,
  - Allows to reduce the luminous flux by 90% of the nominal flux value , in 1% steps,
  - Allows the maintaining of the luminous flux of LED light sources through the control system.
- Protections:
  - Surge protection: 10kV.
  - Short-circuit protection.
- Colour: grey.

### **Variants on request**

- With LEDs with colour temperature warm-white 3000K, CRI $\geq$ 70, cold-white 5000K, 5700K, 6500K, CRI $\geq$ 70.
- Housing painted in other RAL colours on the customer request.

### **Mounting**

- Visible. Mounting system type standard U with facilities for easy focus of the light beam toward the target.

### **Technical features**

- Rated voltage: 230V/50Hz
- Surrounding temperature range: -30°C ÷ + 40°C.
- Relative humidity: till 80% at the temperature of + 20°C.
- Vibration resistance: amplitude -1,5mm; frequency 4÷10Hz; duration -2 hours; duration of scavenging: 30 seconds.
- Jolt resistance according to SR EN 60068-2-29: 1000  $\pm$ 10 jolts, acceleration of 10g, duration of impulse: 16ms.
- Mechanical impact resistance: IK08.

- The luminaire is manufactured according to the requirements of the standards: SR EN 60598-1, SR EN 60598-2-5.

### Compliance with the European Directives

- Low Voltage Directive
- Electromagnetic Compatibility Directive.
- RoHS Directive. WEEE Directive.

The product could be realised in more variants functions of the light distribution.

Product type	Product code	Rated voltage [V]	Active power [W]	Power factor	Protection degree	Class of protection against electric shock	IK	Weight [kg]	Total initial flux luminaire [lm]	Total luminous luminaire efficiency [lm/W]
FIX LIGHT 04 440W 64100LM 60° 740 DA	47606052	230	444.2	≥0.99	IP66	I	IK08	18,5	64113	143
FIX LIGHT 04 440W 63631LM 740 DA (without lenses)	on request	230	444.2	≥0.99	IP66	I	IK08	18,5	63631	142
Gear box		230	-	-	IP66	-	-	5,0	-	-

740 = 4000K 70CRI, DA = with dimmable driver DALI protocol

Function of the optical system there could be obtained narrow or wide luminous flux distributions:

projector type: small 10°, medium 25°, large 60°

street-lighting type

The tolerance of the initial flux and active power is ±10% from the specified value. These values were measured at the ambient temperature of 25°C, unless is not mentioned another temperature.

ELBA S.A improves continuously its products. We reserve the right to change the specifications in the interest of improving our products without prior notifications or public announcement. © ELBA S.A.