

Indoor and outdoor industrial projector.

ARIA-01 LED GEN3

ARIA 01 G3 LED 8000LM 49W 840 DA 35617379, ARIA 01 G3 LED 8500LM 50W 840 PMTR DIM 35617864
 ARIA 01 G3 LED 11000LM 73W 840 DA 35617376, ARIA 01 G3 LED 12000LM 80W 840 90° DIM 35617884
 ARIA 01 G3 LED 15000LM 122W 840 DIM 35617504




About the product

ARIA-LED is a range of products designed for general indoor lighting of large areas, industrial plants, warehouses, commercial spaces, and which are equipped with the last generation LEDs and efficient optical systems. That competitive solution offers significant energy savings and a long lifetime.

The combination of the last generation LED technology and the best quality optical systems made from ARIA LED a flexible solution, easy to install no matter the location that creates a perfect light effect and could be used in combination with different lighting control systems.



EN 60598	RoHS	IP66		-40°C ÷ +50°C	49W ÷ 122W LED
----------	------	------	---	---------------	----------------

Application

Indoor lighting for ample indoor and outdoor spaces: industrial plants, warehouses, commercial spaces.
Lighting for sport areas, park places, building facades, large spaces.

Light source

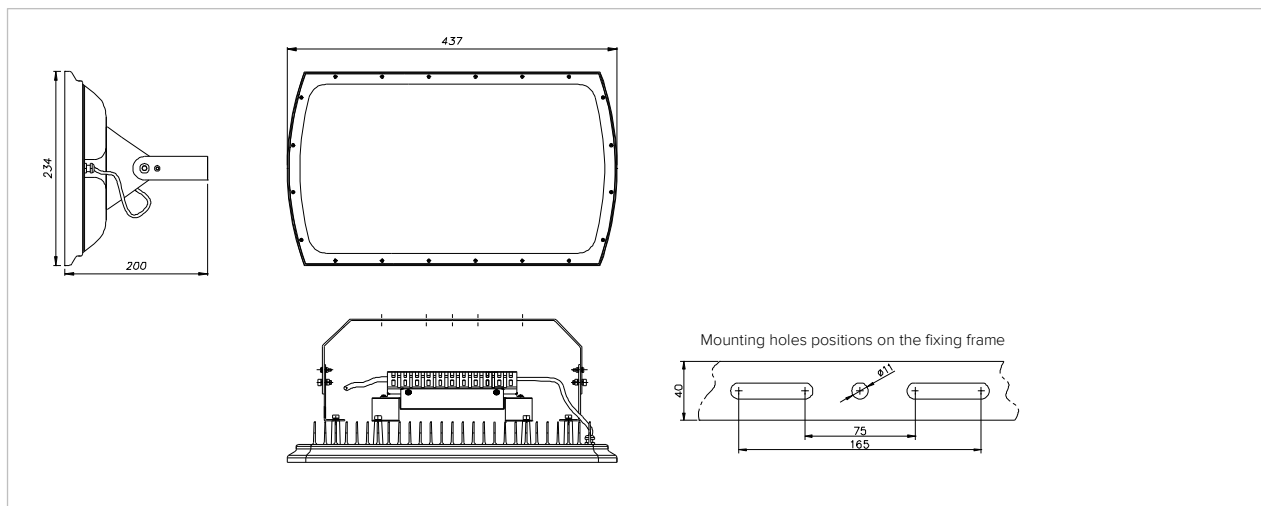
- Last generation medium-power, white, colour temperature neutral-white neutral-white 4000K CRI=80 with a long lifetime, at Ta=25°C:

B10			B50		
L70	L80	L90	L70	L80	L90
> 121.000 hours	>75.000 hours	> 35.000 hours	>140.000 hours	>87.000 hours	>40.000 hours

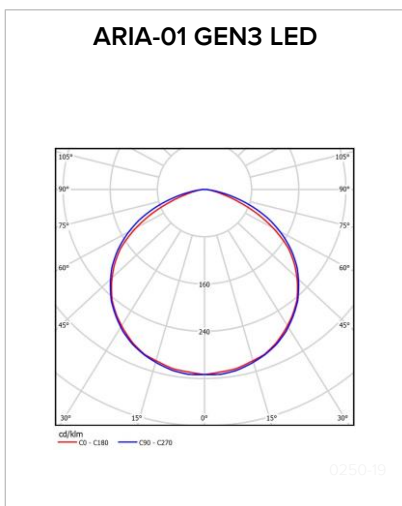
- On request the product could be equipped with LEDs with colour temperature cool-white 5700K, or warm-white 3000K, CRI=70.
- The LED system included in the product could replace or is equivalent with projectors with:
 - ARIA-01 GEN3 96LED: high pressure metal halide lamps HIT 100W HIE 100W, high pressure sodium lamps HSE 100W.
 - ARIA-01 GEN3 144LED: high pressure mercury lamps HME 250W, high pressure sodium lamps HSE 150W, high pressure metal halide lamps HIE 150W.

Advantages

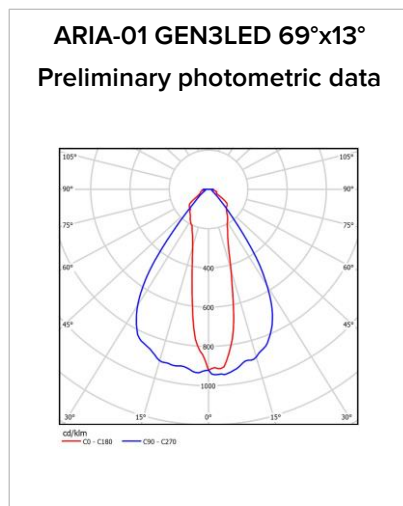
High quality light. Robust construction. Easy to install and easy to maintain. There are not necessary interventions for lamp replacements during exploitation. The use of LED's ensures both a long lifetime of and reduced power consumption. Environment friendly.



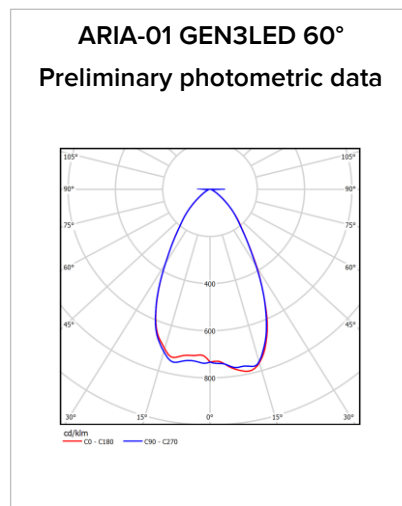
Product type	L [mm]	I [mm]	h [mm]
ARIA-01 LED GEN3 96/144LED	437	234	200



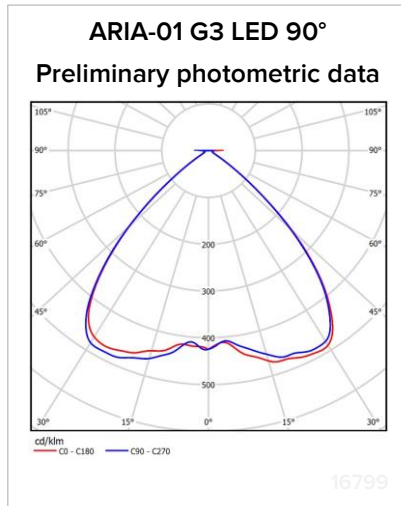
Photometric data ARIA-01 GEN3 LED
 L.O.R. ~91%
 Light distribution diagram [Cd/1000lm]



Preliminary photometric data ARIA-01 GEN3 LED 69°x13°
 Light distribution diagram [Cd/1000lm]



Preliminary photometric data ARIA-01 GEN3 LED 60°
 Light distribution diagram [Cd/1000lm]



Preliminary photometric data ARIA-01 G3 LED 90°

Light distribution diagram [Cd/1000lm]

Description

- High-pressure die-cast aluminium housing painted with corrosion resistant paint.
- Aluminium alloy bracket for mounting painted with corrosion resistant paint.
- Diffuser from:
 - transparent secured glass
 - transparent PMMA for the variant PMTR.
- The optical system contains the LED's, LED modules manufactured according to specific standards and optionally the optical system for light distribution.
- LED driver with dimming protocol:
 - DALI
 - 1-10V for the variant DIM
- Mounting system with tilting facility for easy orientation of the luminous flux with index with 20° step.
- Connectors IP68.
- Surge protection: Line-Earth 6kV, Line-Line 4kV.
- Gear (LED driver) included in the product and manufactured according to the specific standards.
- For the variant ARIA-01 G3 LED 8500LM 50W 840 PMTR DIM 35617864
 - Stainless steel screws
 - Stainless steel gear board
- Colour: grey.

Variants on request

- Equipped with LEDs with other colour temperature.

- Function of the optical system there could be obtained narrow or wide luminous distributions:
 - Projector type distributions: small 27°, medium 60°, large 90°, between racks 63°x19°
 - High Bay distribution: 120°
- Without dimming.
- Suspended mounting with hook (accessory that must be demanded separately).
- On request the product could be equipped with transparent polycarbonate diffuser vandal resistant IK10.

Mounting

- Visible, on surface, through 2 screws M10.
- Suspended mounting with hook (accessory that must be demanded separately).
- Mounting system with tilting facility for easy orientation of the luminous flux with index with 20° step.

Technical features

- Rated voltage: 230V/50Hz
- Surrounding temperature range: -40°C ÷ + 50°C
- Relative humidity: 80% at the temperature of +20°C.
- Jolt resistance: 1000 ±10 jolts, acceleration of 10g, duration of impulse: 16ms, according to SR EN 60068-2-29.
- The luminaire is manufactured according to the standards: SR EN 60598-1, SR EN 60598-2-5.

Compliance with the European Directives

- Low Voltage Directive
- Electromagnetic Compatibility Directive.
- RoHS Directive. WEEE Directive.

The product could be realised in more variants functions of the LED's number, power, diffuser and gear type.

Product type	Product code	Rated voltage [V]	Rated power [W]	Power factor	Protection degree	Class of protection against electric shock	IK	Weight [Kg]	Total initial net luminaire flux [lm]	Total luminous efficiency
ARIA 01 G3 LED 8000LM 49W 840 DA	35617379	230	49	≥0.95	IP66	I	IK08	5.8	7943	162
ARIA 01 G3 LED 8500LM 50W 840 PMTR DIM	35617864	230	50	≥0.95	IP66	I	IK08	5.8	8500	170
ARIA 01 G3 LED 11000LM 73W 840 DA	35617376	230	73	≥0.95	IP66	I	IK08	5.8	11170	153
ARIA 01 G3 LED 12000LM 80W 840 90° DIM	35617884	230	80	≥0.95	IP66	I	IK08	5.8	12000	150
ARIA 01 G3 LED 15000LM 122W 840 DIM	35617504	230	122	≥0.95	IP66	I	IK08	5.8	15000	123

840 = 4000K CRI80, DA = equipped with dimmable driver protocol DALI, DIM = equipped with dimmable driver protocol 1-10V,

PMTR = PMMA transparent diffuser

Function of the optical system there could be obtained narrow or wide luminous distributions: Projector type distributions: small 27°, medium 60°, large 90°, between racks 63°x19°, High Bay distribution: 120°

The tolerance of the initial flux and active power is ±10% from the specified value. These values were measured at the ambient temperature of 25°C, unless is not mentioned another temperature.

ELBA S.A improves continuously its products. We reserve the right to change the specifications in the interest of improving our products without prior notifications or public announcement. © ELBA S.A.